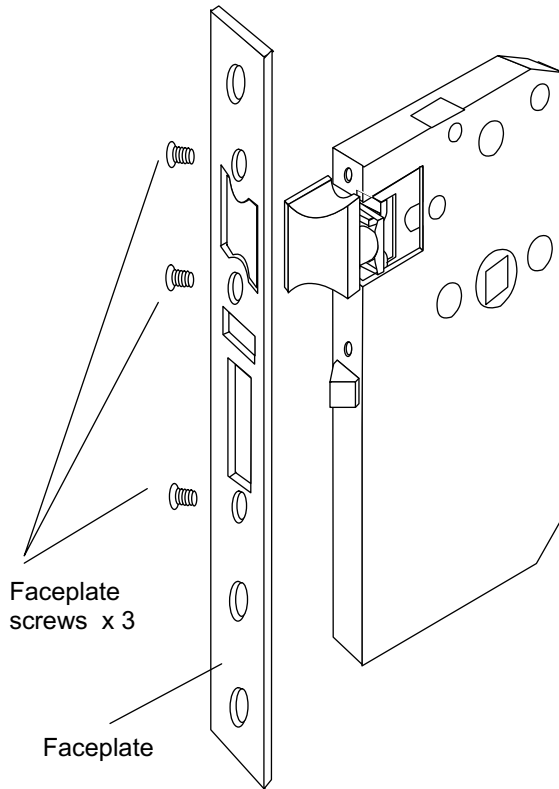


Instruction For Rotating Spring Latch

For Series F500 Euro Mortise Auto Lock cases

The handing of the Spring Latch of the Baton Series 'F500' Euro Mortise Auto Lock Cases are field-reversible. **Removing the case cap to change the handing is not necessary.** Please follow instructions to rotate the Spring Latch.

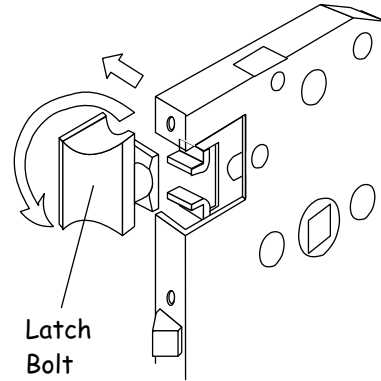


Step 1 -

Unscrew the Faceplate Screws x 3 and remove the Faceplate

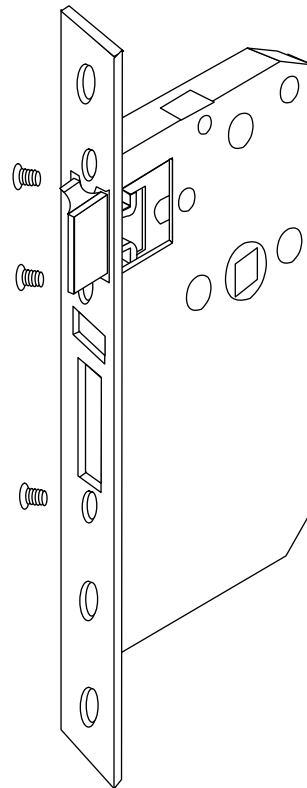
Note:

The exterior Lever must be set to always rigid. Please consult with your Trim/Lever provider for the setting.



Step 2 -

Slide the Latch Bolt to either side of the lock case; rotate for 180 degree and snap back to the latch slot in position.



Step 3 -

Attach the Faceplate and fasten the Faceplate Screws x 3.